



---

## Black Electric Multi Motor Corner Desk Frame Instruction Manual



**SKU: DESK-V123EB**



Scan the QR code with your mobile device or follow the link for helpful videos and specifications related to this product.

<https://vivo-us.com/products/desk-v123eb>

---

GET IN TOUCH | Monday-Friday from 7:00am-7:00pm CST



help@vivo-us.com



www.vivo-us.com  
*Chat live with an agent!*



309-278-5303

## **WARNING!**

If you do not understand these directions, or if you have any doubts about the safety of the installation, please call a qualified technician. Check carefully to make sure there are no missing or defective parts. Improper installation may cause damage or serious injury. Do not use this product for any purpose that is not explicitly specified in this manual and do not exceed weight capacity. We cannot be liable for damage or injury caused by improper mounting, incorrect assembly, or inappropriate use.

## **ELECTRICAL SAFETY INSTRUCTIONS**

THIS PRODUCT IS POWERED BY ELECTRICITY. IN ORDER TO AVOID BURNS, FIRE AND ELECTRIC SHOCK, PLEASE READ THE FOLLOWING INSTRUCTIONS CAREFULLY.

- DO NOT CLEAN PRODUCT WHILE POWER IS CONNECTED.
- DO NOT DISASSEMBLE OR REPLACE COMPONENTS WHILE POWER IS CONNECTED.
- NEVER OPERATE THE SYSTEM WITH A DAMAGED CORD OR PLUG. PLEASE CONTACT YOUR SELLER TO REPLACE DAMAGED PARTS.
- NEVER OPERATE SYSTEM IN DAMP ENVIRONMENTS OR IF ANY ELECTRICAL COMPONENTS HAVE MADE CONTACT WITH LIQUIDS.
- ALTERATIONS OF THE GIVEN POWER UNIT ARE NOT ALLOWED.
- OUTDOOR USE IS PROHIBITED.

## **WARNING: CHOKING HAZARD**

SMALL PARTS - NOT FOR CHILDREN UNDER 3 YEARS. ADULT SUPERVISION IS REQUIRED.

## PACKAGE CONTENTS



**A** (x1)  
Allen Wrench  
(4mm and 5mm)



**B** (x14)  
M6x12



**C** (x20)  
M6x12 Flat Head



**D** (x2)  
M8x12



**E** (x30)  
M5x16



**F** (x12)  
M6x35



**G** (x8)  
Cable Clip



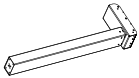
**H** (x6)  
Foot Pad



**I** (x18)  
Anti-Vibration  
Pad



**1** (x3)  
Side Bracket



**2** (x3)  
Motorized Leg



**3** (x3)  
Feet



**4** (x3)  
Inner  
Crossbar



**5** (x2)  
Outer Crossbar



**6** (x1)  
Center Crossbar



**7** (x1)  
Outer Extension  
Crossbar



**8** (x1)  
Inner Extension  
Crossbar



**9** (x1)  
Extension  
Connector



**10** (x1)  
Power Cord



**11** (x1)  
Control Unit



**12** (x1)  
Controller

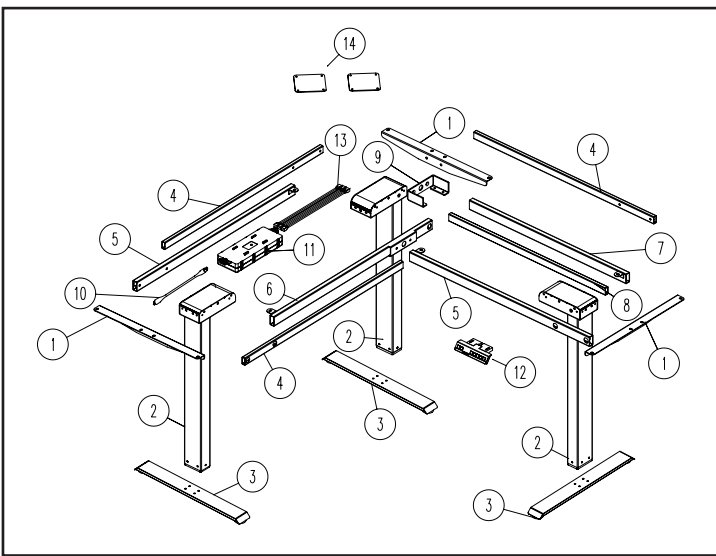


**13** (x3)  
Extension  
Cable



**14** (x2)  
Connecting  
Plate

**NOTE:** x2 extras of each screw size have been included, desktop not included (2-section corner desktop shown only for reference)



**WARNING**  
**PINCH POINT**

DO NOT place hands on or near support bars. Moving parts can crush and cut. Pinch points are created during lifting and lowering the worksurface. Failure to follow these instructions may result in serious personal injury.



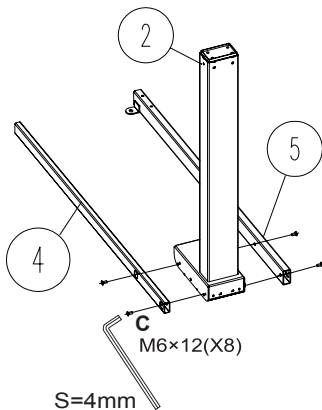
DO NOT EXCEED WEIGHT CAPACITY.  
Failure to do so may result in serious injury.



**ASSEMBLY STEPS**

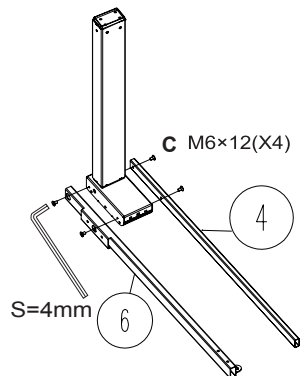
**STEP 1**

Assemble an outer crossbar (5) and inner crossbar (4) to x2 of the motorized legs (2) using x2 M6x12 flat head bolts (C) for each crossbar. Tighten with the 4mm Allen wrench (A). With all legs upside down and side brackets (1) facing away, the outer crossbars will be on the left, and the inner crossbars on the right.



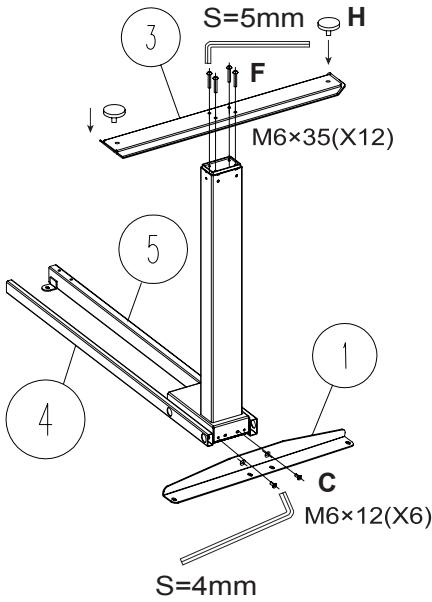
**STEP 2**

Mount the center crossbar (6) and an inner crossbar (4) to the third motorized leg (2) using x2 M6x12 flat head bolts (C) for each crossbar, and tighten with the 4mm Allen wrench (A).



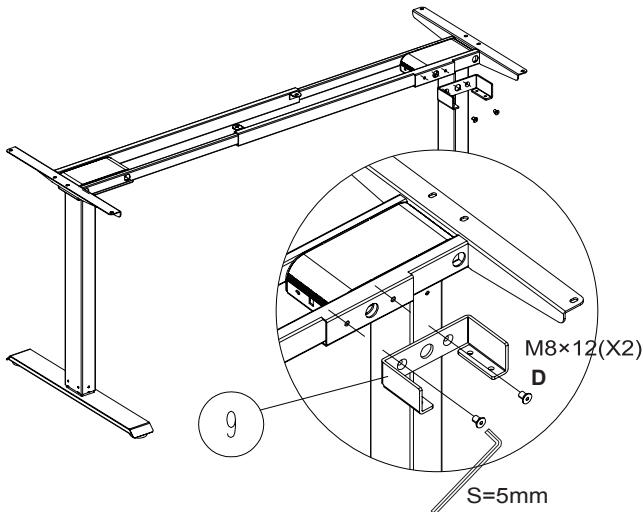
## STEP 3

Attach a side bracket (1) to each motorized leg (2) using x2 M6x12 flat head bolts (C) for each. Tighten with the 4mm Allen wrench (A). Mount the feet (3) to the motorized legs (2) using x4 M6x35 bolts (F) for each and tighten with the 5mm Allen wrench (A). Screw the foot pads (H) into the feet.



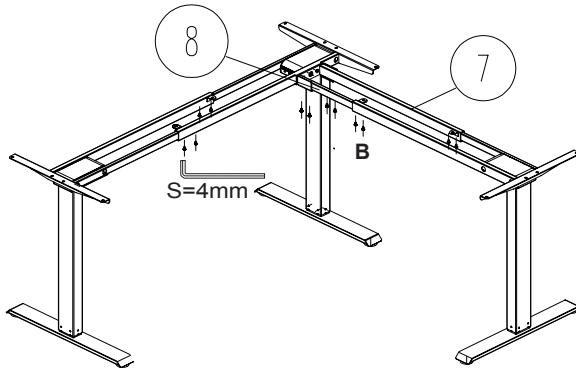
## STEP 4

Slide the crossbars of the left and corner leg together and flip the assembly right side up. Mount the extension connector (9) to the center crossbar using M8x12 bolts (D) and tighten with the 5mm Allen wrench (A), making sure the opening is facing up.



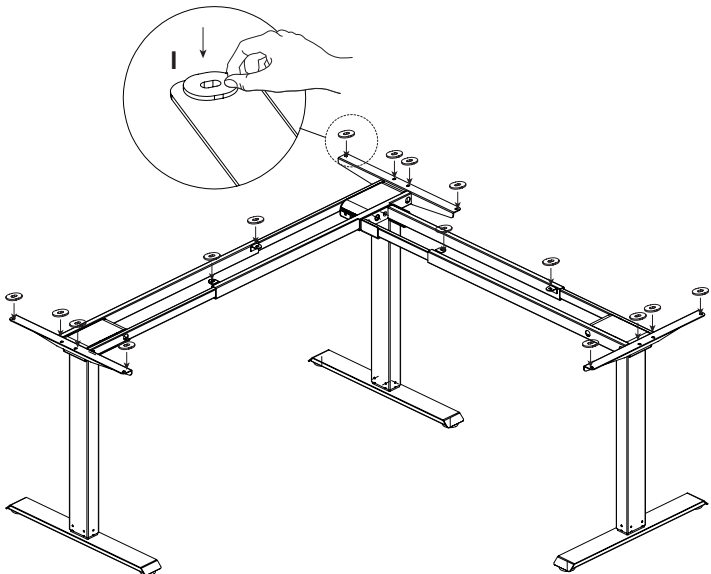
## STEP 5

Slide the outer extension crossbar (7) and inner extension crossbar (8) onto the crossbars of the third leg, then assemble to the extension connector (9) using x2 M6x12 bolts (B) for each crossbar and tighten with the 4mm Allen wrench (A). Adjust the frame size to fit the desktop, and tighten x8 M6x12 bolts (B) into the underside of the outer crossbars using the 4mm Allen wrench to secure. We recommend that each side of the desktop overhang the frame by no more than 10".



## STEP 6

Insert the anti-vibration pads (I) into the desktop mounting holes in the side brackets and crossbars.



## STEP 7

Place the desktop on the assembled frame. Drill 10mm deep pilot holes using a 1/8" (3mm) drill bit, and secure using x16 M5x16 screws (**E**). If using a 2-section desktop, secure sections using the connecting plates (**14**) with x8 M5x16 screws (**E**). Tighten all screws with a Phillips screwdriver.

Mark screw locations for the control unit (**11**) and controller (**12**), making sure the controller cable is able to reach the control unit, then drill 10mm deep pilot holes using a 1/8" (3mm) drill bit. Mount the control unit and controller using x4 M5x16 screws (**E**). Tighten all screws with a Phillips screwdriver. Connect the controller and legs (**2**) to the control unit. If needed, use the extension cables (**13**) to connect the legs. Connect the power cord (**10**) to the control unit and plug into an AC power outlet. Adjust foot pads (**H**) to sit level if necessary. Refer to Controller User Guide for operational instructions.

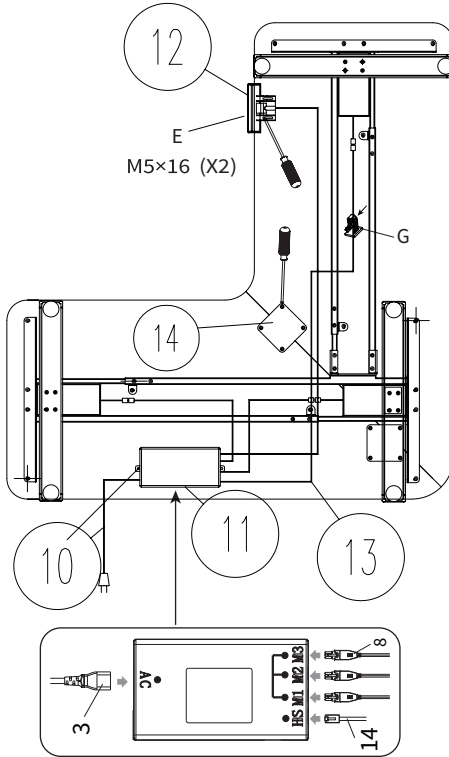
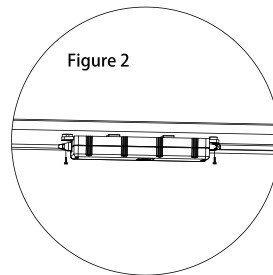
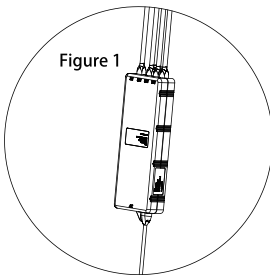


Figure 1: The controller is prohibited from suspension testing to avoid false alarm.

Figure 2: The controller must be fixed before testing.

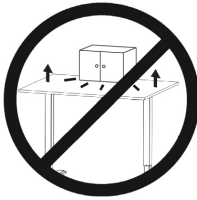




## CAUTION!



Do not exceed desk weight limit.



Keep area of vertical motion free of obstacles.



Keep weight on desk balanced for correct operation and longer life of components.



Leave enough slack in cables to allow for full range of vertical motion.

Failure to follow these instructions may result in property damage and/or personal injury.



Open **Monday - Friday 7:00am - 7:00pm CST**, our dedicated support team can offer immediate assistance with rapid response times. If any parts are received damaged or defective, please contact us. We are happy to replace parts to ensure you have a fully functioning product.


 [help@vivo-us.com](mailto:help@vivo-us.com)

**AVG. RESPONSE TIME** (*within office hrs*): **1HR 8M**

- 23% within < 15m
- 38% within < 30m
- 61% within < 1hr
- 83% within < 2hr
- 92% within < 3hr

 [www.vivo-us.com](http://www.vivo-us.com)  
*Chat live with an agent!*

**AVG. RESOLUTION TIME** (*within office hrs*): **< 15 M**

 309-278-5303

**AVG. RESOLUTION TIME** (*within office hrs*): **5M 4S**